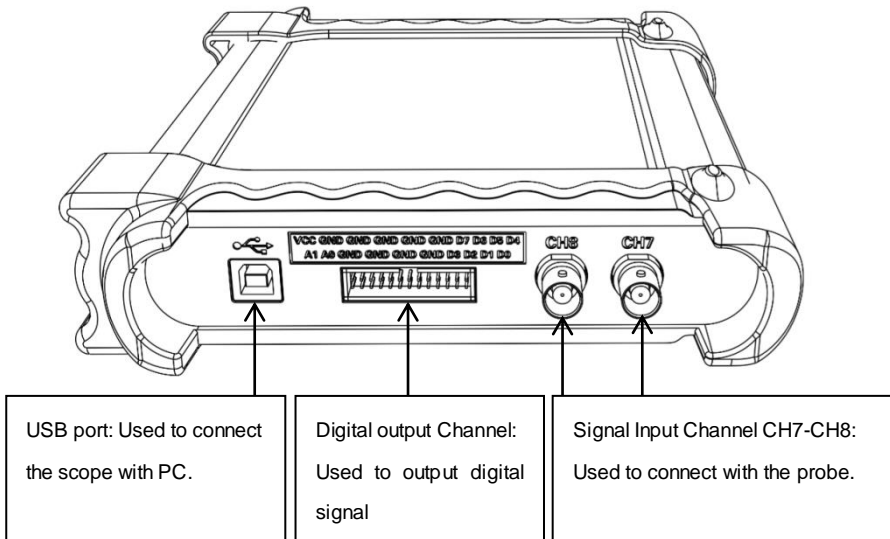
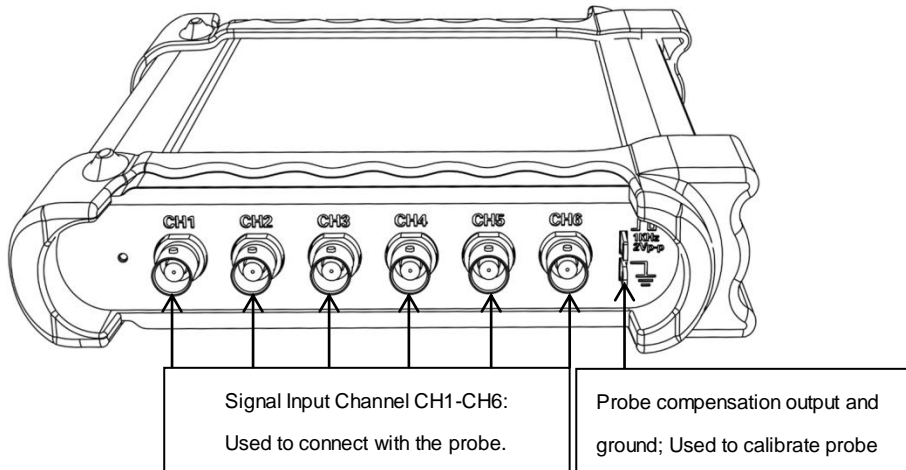


## INTRODUCTION



## STEP

### Download

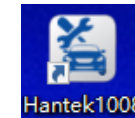
Firstly, please scan the two-dimension code on scope or click the following link to download the software and user guide.



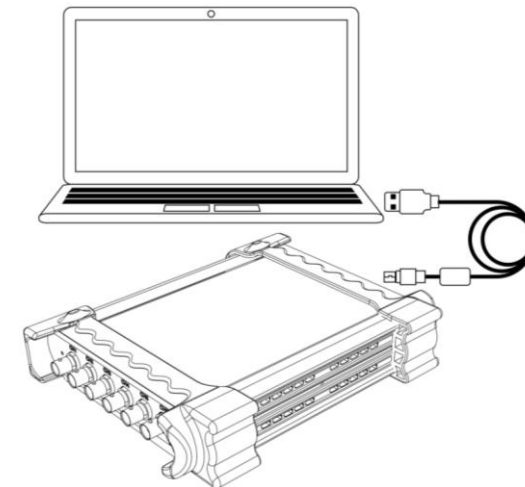
<https://e.hantek.com/Products/hantek1008c>

### Install Software


Double click *Setup.exe*. According to the information, install the software step by step. There will be "Hantek1008" icon on desktop.



### Connect the device with PC



### Run the software

Double click  icon on desktop to run the software.